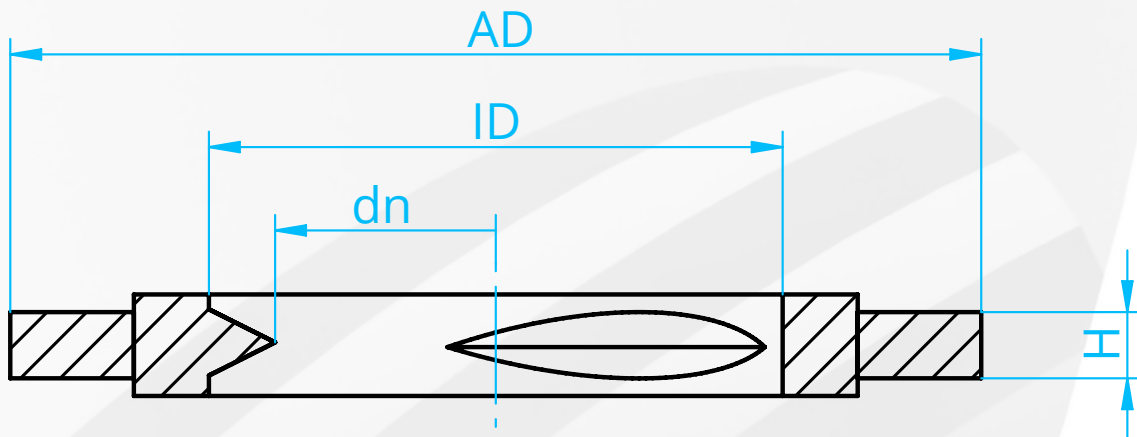


BS 2000



METRISCH	ID	TOL. ID	AD	TOL. AD	H	TOL. H	DN	TOL. DN
M4	4,20	±0.20	7,90	±0.20	1.00	±0.15	3,10	±0.15
M5	5,20	±0.20	8,90	±0.20	1.00	±0.15	4,00	±0.15
M6	6,20	±0.20	9,90	±0.20	1.00	±0.15	4,70	±0.15
M8	8,20	±0.20	13,90	±0.20	1,50	±0.15	6,40	±0.15
M10	10,20	±0.25	16,90	±0.20	1,50	±0.15	8,10	±0.15
M12	12,20	±0.25	18,90	±0.20	1,50	±0.15	9,80	±0.15
M14	14,20	±0.25	21,90	±0.20	2.00	±0.15	11,50	±0.15
M16	16,20	±0.25	23,90	±0.20	2,50	±0.15	13,50	±0.15
M18	18,20	±0.35	26,90	±0.20	2,50	±0.15	14,80	±0.15
M20	20,20	±0.35	29,90	±0.20	2,50	±0.15	16,80	±0.15
M22	22,20	±0.35	31,90	±0.20	2,50	±0.15	18,80	±0.15
M24	24,20	±0.35	35,90	±0.20	3.00	±0.15	20,20	±0.15